



# DYNA-MASTER

Revised 09-14-01

Part No. 4928WP

## PART'S MANUAL



An Operator's Manual was shipped with the equipment in the Manual Canister. This Operator's Manual is an integral part of the safe operation of this machine and must be maintained with the unit at all times. **READ, UNDERSTAND, and FOLLOW** the Safety and Operation Instructions contained in this manual before operating the equipment. If the Operator's Manual is not with the equipment, contact your dealer or M&W (217-784-4261) to obtain a Free copy before operating the equipment.

### ATENCIÓN!

LEA EL INSTRUCTIVO

Si No Lee Ingles, Pida Ayuda a Alguien Que Si Lo Lea Para Que le Traduzca las Medidas de Seguridad.



**M&W®**

1020 South Sangamon Ave.  
Gibson City, Illinois 60936  
217-784-4261




© 2004 Alamo Group Inc.

# TO THE OWNER/OPERATOR/DEALER

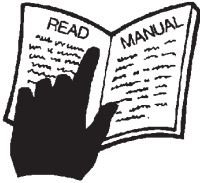


All implements with moving parts are potentially hazardous. There is no substitute for a cautious, safe-minded operator who recognizes the potential hazards and follows reasonable safety practices. The manufacturer has designed this implement to be used with all its safety equipment properly attached to minimize the chance of accidents.

**BEFORE YOU START!!** Read the safety messages on the implement and shown in your manual.  
Observe the rules of safety and common sense!



# DANGER

FAILING TO FOLLOW SAFETY MESSAGES AND OPERATING INSTRUCTIONS CAN CAUSE SERIOUS BODILY INJURY OR EVEN DEATH TO OPERATOR AND OTHERS IN THE AREA.

<p>1. </p>	<p>2. NO RIDERS, NO CHILDREN OPERATORS </p>	<p>3. USE SAFETY SHOES, HARD HAT, SAFETY GLASSES, SEAT BELTS, &amp; ROPS </p>	<p>4. BLOCK UP SECURELY BEFORE WORKING UNDER. </p>
---	--	---	---

1. Study and understand Operator's Manuals, Safety Signs, and Instructional Decals for tractor & flail mower to prevent misuse, abuse, & accidents. Practice before operating mower in a confined area or near passersby.

- Learn how to stop engine suddenly in an emergency. Be alert for passersby and especially children.

2. Allow no children on or near implement or tractor. Allow no riders on tractor or implement. Falling off can cause serious injury or death from being runover by tractor or mower or contact with Flail Mower Blades.

3. Operate only with tractor having Roll-Over Protective Structure (ROPS) and with seatbelt fastened securely and snugly to prevent injury and possible death from falling off or tractor overturn. Personal Protective Equipment such as Hard Hat, Safety Glasses, Safety Shoes, and Ear Plugs are recommended.

4. Block up or support raised machine and all lifted components securely before putting hands or feet under or working underneath any lifted component to prevent crushing injury or death from sudden dropping or inadvertent operation of controls. Make certain that area is clear before lowering or folding.

5. Before transporting, put Lift Lever in detent or full-lift position. Install Transport Safety Devices securely on folding implements. Slow down when turning and on hillsides.



- Install \*\*Restrictor in folding circuit to slow down lowering and unfolding if action is faster than is desirable.

6. Make certain that SMV sign, Warning Lights, and Reflectors are clearly visible. Follow local traffic codes.

7. Never operate with Flail Mower or Folding Section raised if passersby, bystanders or traffic are in the area to reduce possibility of injury or death from objects thrown by Blades under Shields or implement structure.

8. Before dismounting, secure flail mower in transport position or lower to ground.

- Put tractor in park or set brake, disengage PTO, stop engine, remove key, and wait until noise of rotation has ceased to prevent entanglement in rotating parts which may cause injury or death.
- Never mount or dismount a moving vehicle. Crushing from runover may cause injury or death.

<p>5. TRANSPORT SAFELY, LOCK UP. </p>	<p>6. USE SMV, LIGHTS, &amp; REFLECTORS. </p>	<p>7. DO NOT OPERATE WITH MOWER OR WING RAISED. </p>	<p>8. DO NOT MOUNT OR DISMOUNT WHILE MOVING. </p>
--	--	--	--

002369

## WARRANTY INFORMATION:

Read and understand the complete Warranty Statement found in this Manual. Fill out the Warranty Registration Form in full and return it within 30 Days. Make certain the Serial Number of the Machine is recorded on the Warranty Card and on the Warranty Form that you retain. The use of "will-fit" parts will void your warranty and can cause catastrophic failure with possible injury or death.

# **PARTS SECTION**

## PARTS ORDERING GUIDE

The following instructions are offered to help eliminate needless delay and error in processing purchase orders for the equipment in this section.

1. The Parts Section is prepared in logical sequence and grouping of parts that belong to the basic machine featured in this manual. Part Numbers and Descriptions are given to help locate the parts and quantities required.
2. The Purchase Order must include the name and address of the person or organization ordering the parts, who should be charged, and if possible, the serial number of the machine for which the parts are ordered.
3. The Purchase Order must clearly list the quantity of each part, the complete and correct part number, and the basic name of the part.
4. The Manufacturer reserves the right to substitute parts where applicable.
5. Some parts are unlisted items which are special production items not normally stocked and are subject to special handling. Request a quotation for such parts before sending a Purchase Order.
6. The Manufacturer reserves the right to change prices without prior notice.

**NOTE:** Please refer to The Safety Section in the front of this Manual for the proper Part Number when ordering Replacement Safety Decals.



For maximum safety and to guarantee optimum product reliability, always use genuine Alamo Group Parts. The use of inferior replacement parts may cause premature or catastrophic failure which could result in serious injury or death. Direct any questions regarding parts to:

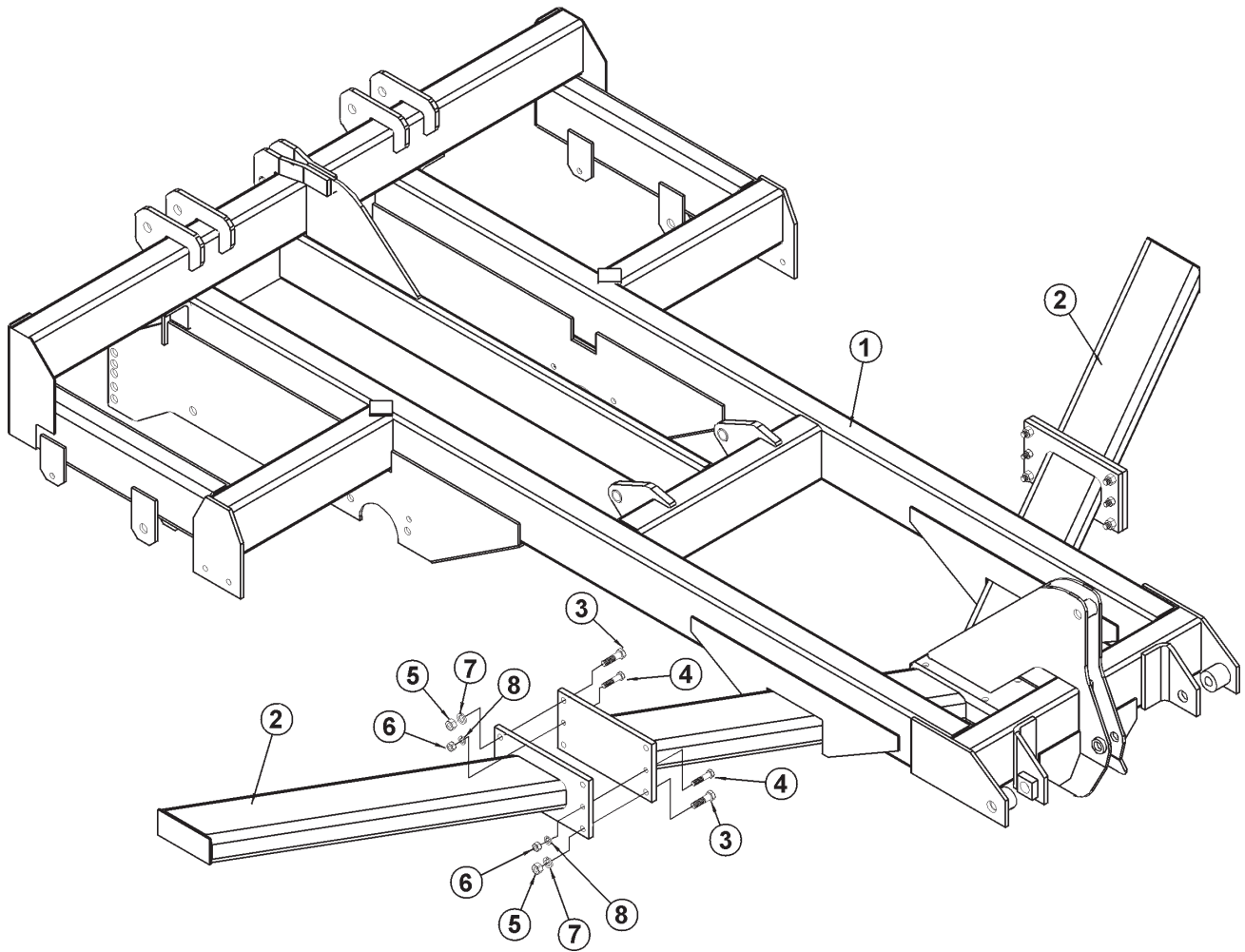
**M&W** M&W  
1020 South Sangamon Ave.  
Gibson City, Illinois 60936  
217-784-4561

# PARTS TABLE OF CONTENTS

Automatic Reset Shank .....	6-20
Automatic Reset Straight Shank .....	6-22
Chisel Point Removable Pin Kit No. 2420479 .....	6-25
Disc Frame .....	6-4
Light Kit .....	6-26
Main Lift Cylinder Hydraulic Assy. for No. 2437134 .....	6-13
Main Lift Cylinder Hydraulic Assy. for No. 2420139 .....	6-15
Main Lift Cylinder (3-1/2" x 16") No. 2437134 Repair Parts List .....	6-12
Main Lift Cylinder (3-1/2" x 16") No. 2420139 Repair Parts List .....	6-14
Manual Reset Shank .....	6-18
Pivot Tube Assembly .....	6-11
Rear Lift Cylinder .....	6-10
Rear Hitch Assembly .....	6-8
Tongue Assembly .....	6-5
Tongue Lift Cylinder (3" x 8") Fittings .....	6-17
Tongue Lift Cylinder (3" x 8") No. 2730119 .....	6-16
V-Chisel Bar Coulter .....	6-24
Walking Beam Axle Assembly .....	6-6

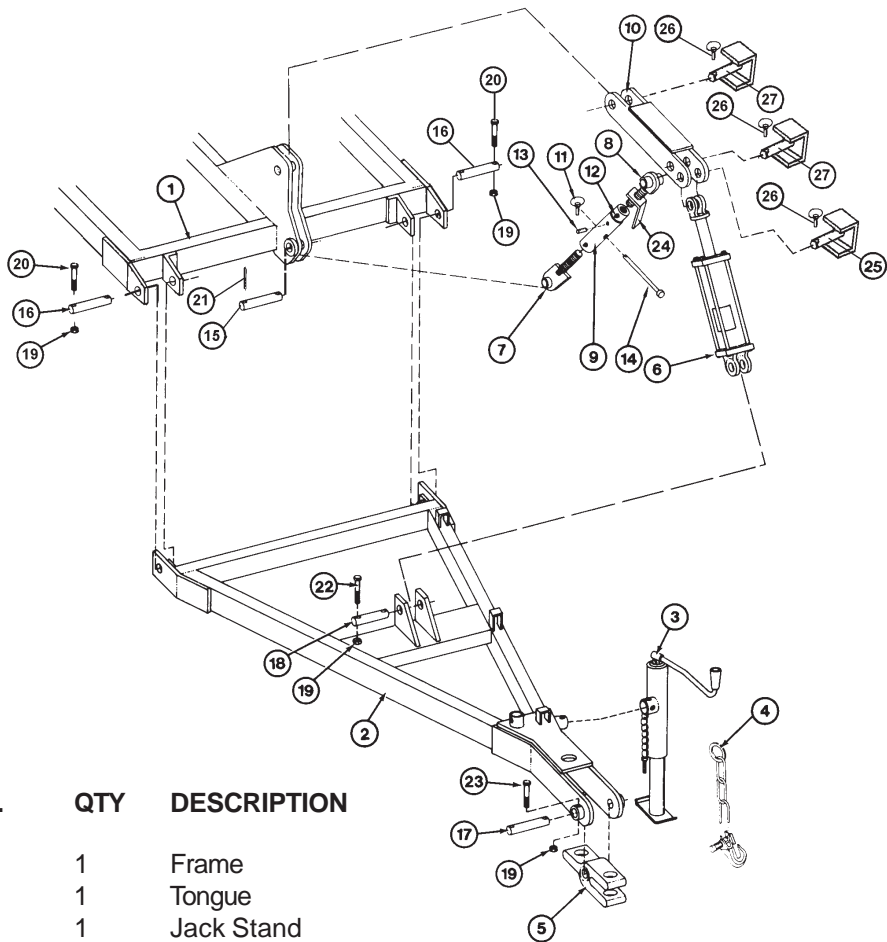


# DISC FRAME



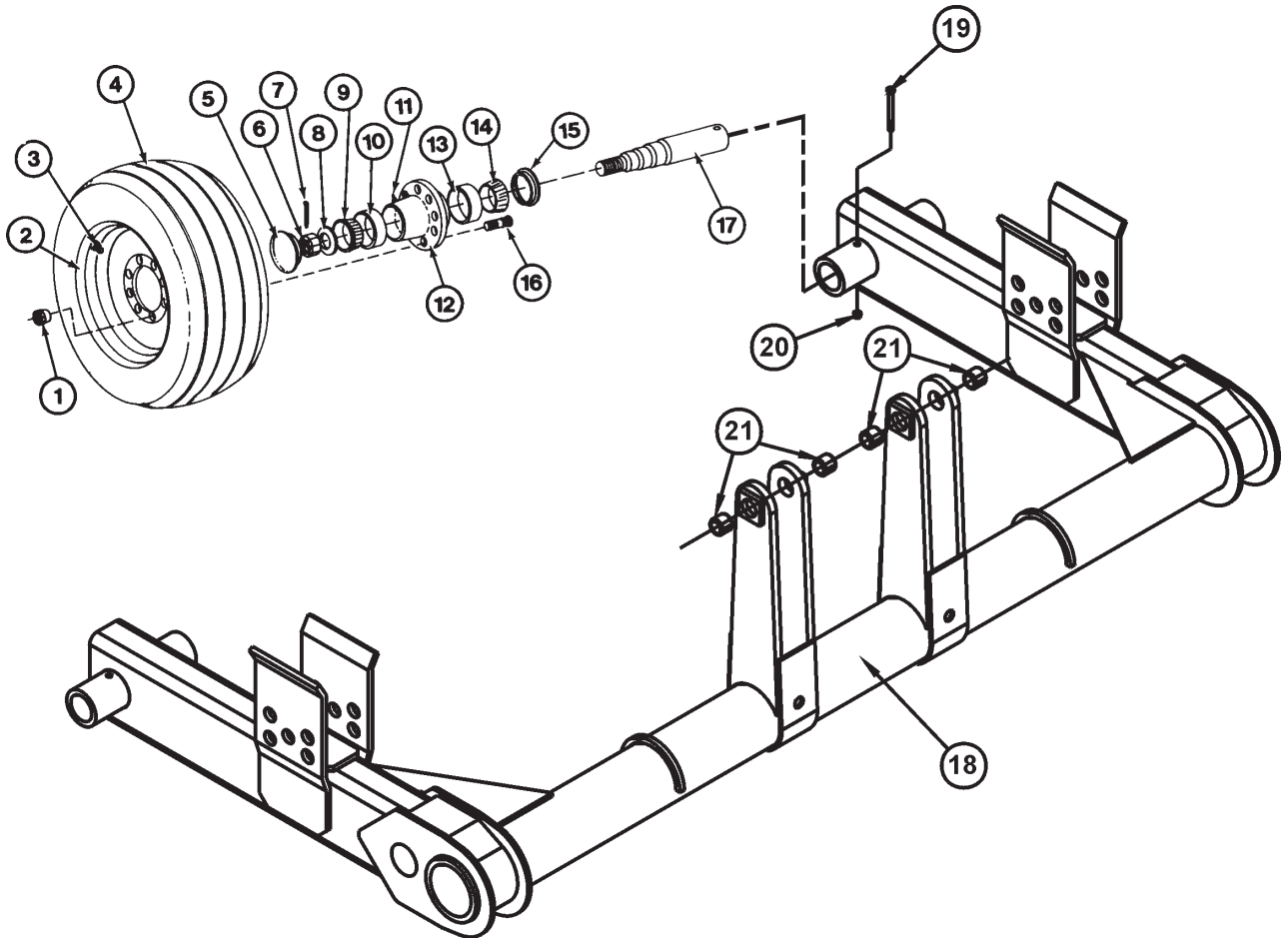
ITEM	PART NO.	QTY	DESCRIPTION
1	2450251	1	Frame
2	2450250	2	Outer V-Frame Wing
3	02880900	8	Bolt
4	00703200	4	Bolt
5	00000200	8	Nut
6	33007C	4	Nut
7	35009C	8	Lockwasher
8	00010300	4	Lockwasher

# TONGUE ASSEMBLY



ITEM	PART NO.	QTY	DESCRIPTION
1	2450251	1	Frame
2	2430364	1	Tongue
3	2438615	1	Jack Stand
4	00757908	1	Safety Tow Chain
5	2420225	1	Hitch
6	2730119	1	Hydraulic Cylinder
7	2430390	1	Adjusting Screw, LH
8	2430389	1	Adjusting Screw, RH
9	2430388	1	Screw Link
10	2430391	1	Tongue Arm
11	F102	1	Klick Pin
12	45051	2	Grease Fitting
13	420812	1	Roll Pin
14	2430257	1	Transport Lock Pin
15	2432570	1	Mast Pin
16	2452514	2	Tongue Pin
17	2432568	1	Clevis Pin
18	2432565	1	Tongue Cylinder Pin
19	000640	8	Locknut
20	00010600	4	Bolt
21	49065	2	Cotter Pin
22	00023100	2	Bolt
23	00013900	2	Bolt
24	2431317	1	Lock Tab
25	2420269	1	Pin
26	00725708	3	Snapper Pin
27	2420276	2	Pin

# WALKING BEAM & AXLE ASSEMBLY

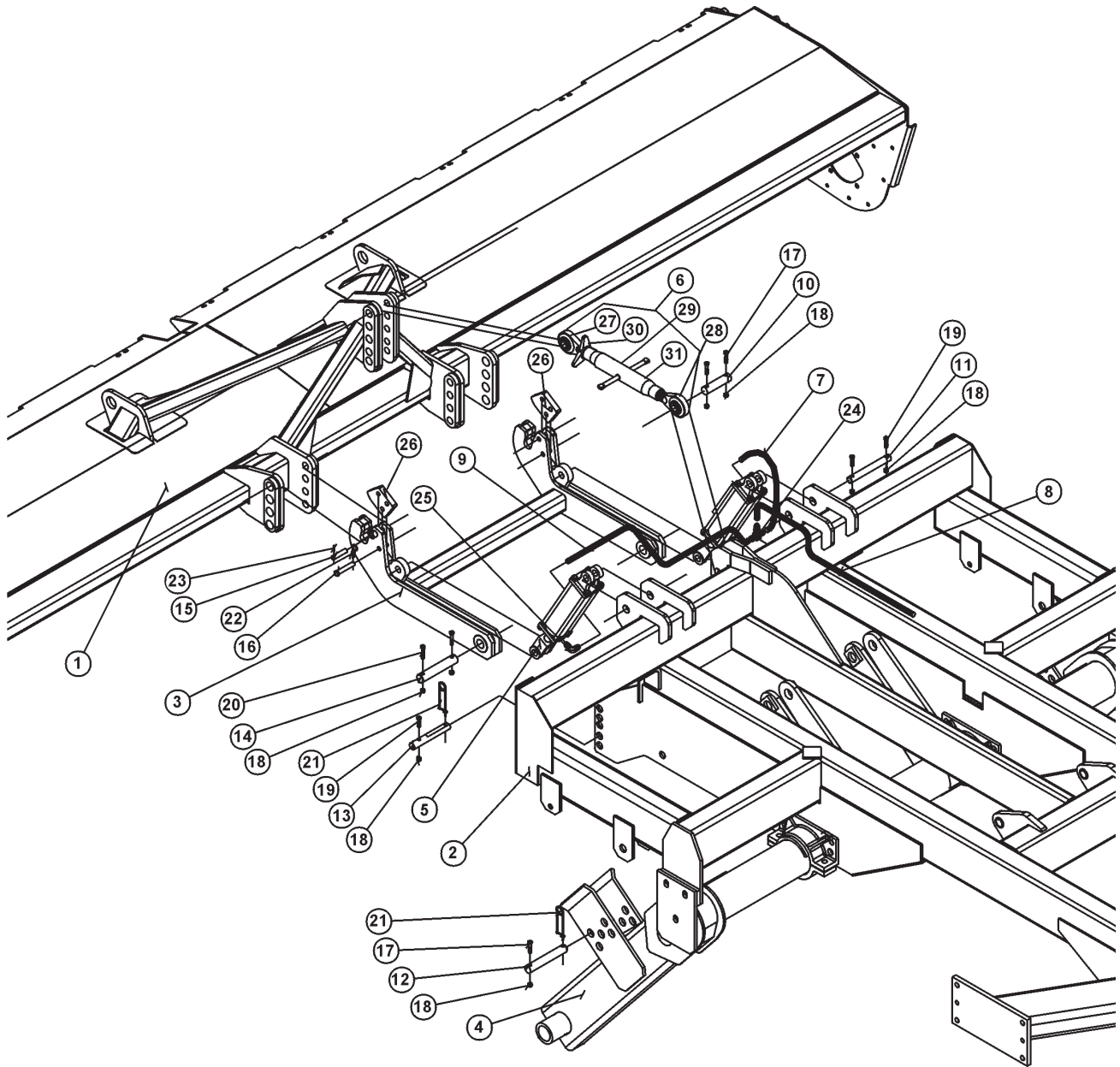




# WALKING BEAM & AXLE ASSEMBLY

ITEM	PART NO.	QTY	DESCRIPTION
1	6W300	32	Lug Nut
2	2437600	4	Wheel
3	TR415	4	Valve Stem
4	0527802	4	Tire
5	0536701	4	Hub Cap
6	330910C	4	Slotted Nut
7	00026200	4	Cotter Pin
8	380010C	4	Flat Washer
9	0752040140	4	Bearing Cone
10	0752040130	4	Bearing Cup
11	45051	4	Grease Fitting
12	0530171	4	Hub & Cup Assy. (Includes Item 10 & 13)
13	0536022	4	Bearing Cup
14	0536021	4	Bearing Cone
15	0536803	4	Seal
16	2238400	32	Wheel Stud
17	2452500	4	Spindle
18	2450246	1	Pivot Tube
19	312017H5C	4	Bolt
20	000640	4	Locknut
21	2438405	4	Tension Bushing

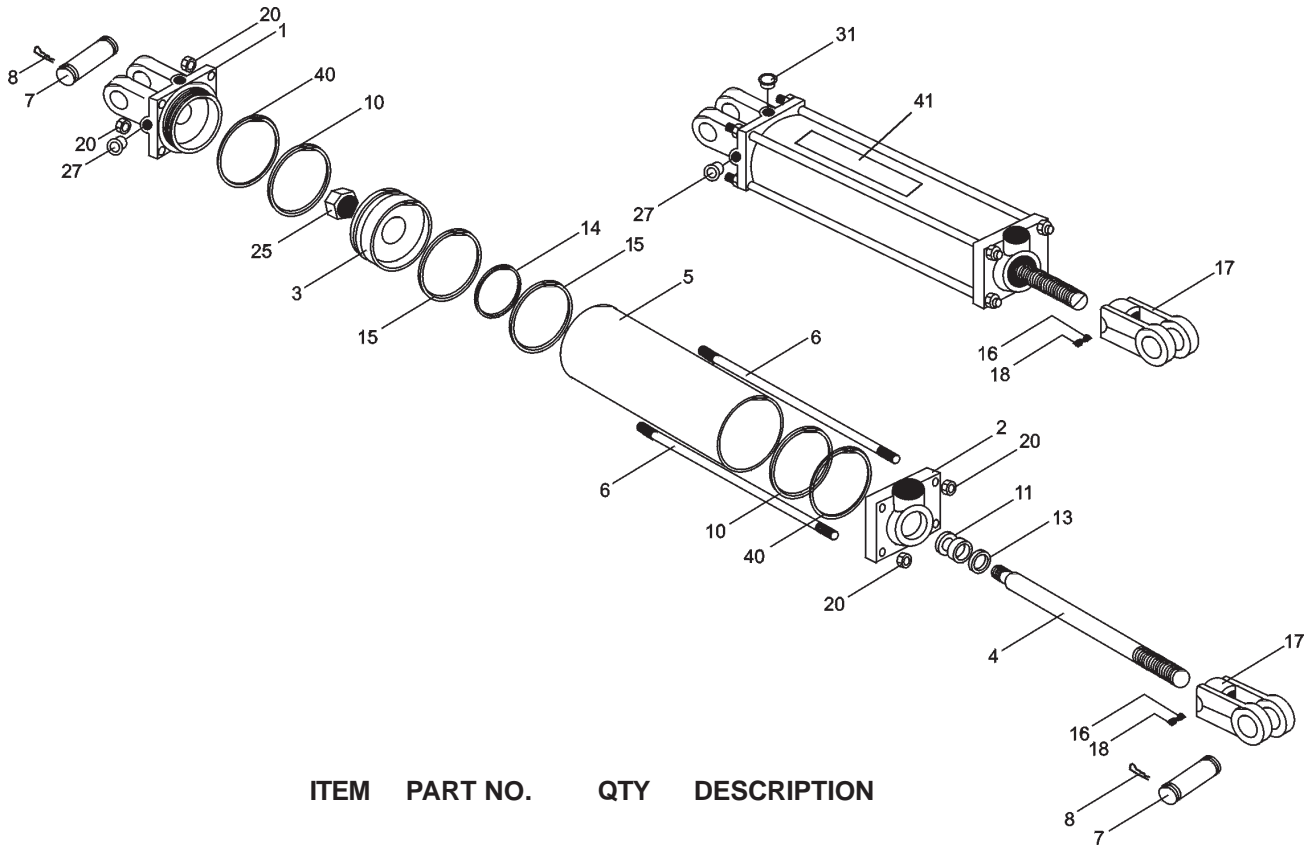
# REAR HITCH ASSEMBLY



# REAR HITCH ASSEMBLY

ITEM	PART NO.	QTY	DESCRIPTION
1	*	1	Dyna-Drive
2	2450251	1	Frame
3	2450247	1	Lift Arm
4	2450246	1	Pivot Tube
5	2457103	2	Hydraulic Cylinder
6	2450129	1	Top Link (Includes Item 27-31)
7	2457204	1	Hydraulic Hose
8	2457202	1	Hydraulic Hose
9	2457205	1	Hydraulic Hose
10	2432578	1	Top Link Pin
11	2452511	2	Upper Cylinder Pin
12	2432571	2	Depth Stop Pin
13	2432559	2	Stop Pin
14	2452510	2	Rear Hitch Pin
15	2452513	2	Lift Arm Lock Pin
16	41978	2	Clevis Pin
17	00007000	4	Bolt
18	000640	14	Locknut
19	00023100	6	Bolt
20	00010600	4	Bolt
21	49225	4	Safety Pin
22	49207	2	Hair Pin Cotter
23	420411	2	Roll Pin
24	2457102	1	Bulkhead Tee
25	11554	2	90 Dg. Elbow
26	2451038	2	Lock Plate
27	2457504	1	RH End Turnbuckle
28	2457505	1	LH End Turnbuckle
29	2457506	1	Turnbuckle Tube Body W/Adj.Handle
30	2457507	1	Turnbuckle Collar
31	3138409	2	Grease Fitting

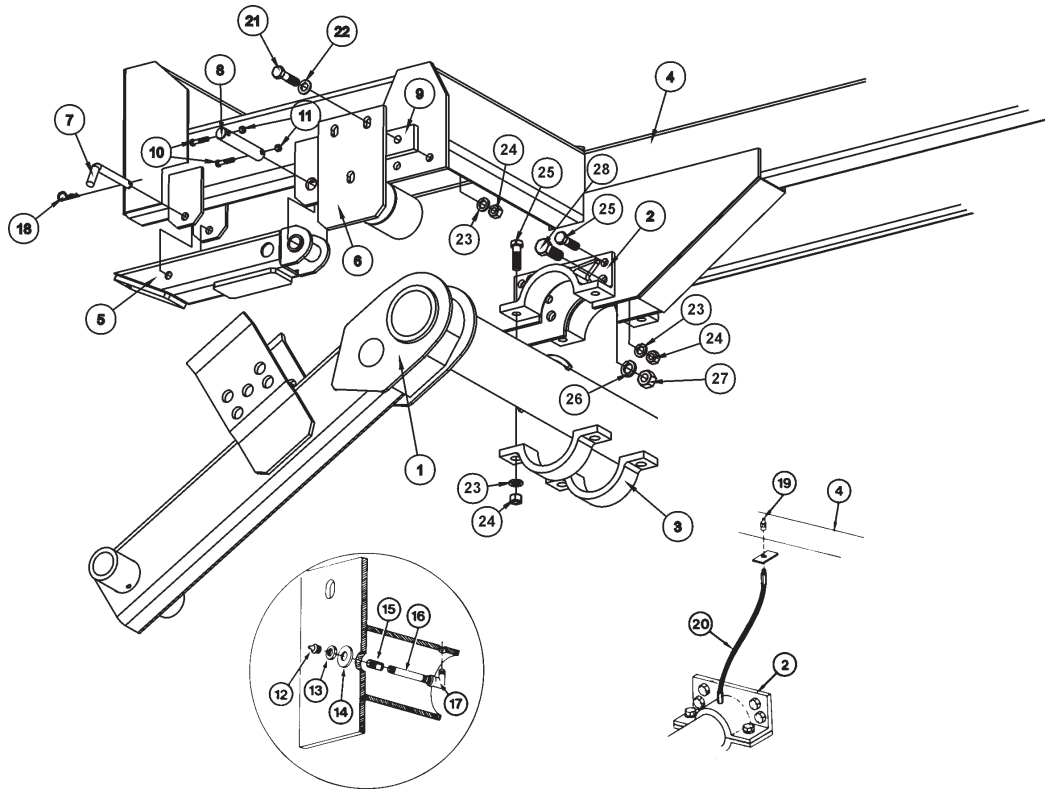
# REAR LIFT ARM CYLINDER (3 X 10) 2457103



ITEM	PART NO.	QTY	DESCRIPTION
1	2417158	1	Clevis Cap
2	2417157	1	Rod Cap
3	2417160	1	Piston
4	2417159	1	Rod
5	2417155	1	Tube
6	2417156	4	Tie Rod
7	3047104	2	Pin
8	492110	4	Clip
10	*	2	O-Ring
11	*	1	Wiper Seal
13	*	1	Dust Seal
14	*	1	Piston Seal
15	*	2	Piston Wear Ring
16	3047117	1	Third Lock - Nylon
17	1917140	1	Rod Clevis
18	0116000	1	Set Screw
20	33005H5C	8	Nut
25	5JRC16140	1	Locknut
27	1917132	1	Plug
31	2417154	1	Breather
40	*	2	Back-Up Washer
41	00756059	1	Decal, Warning Oil Leak

(\*) In Seal Kit #02975530

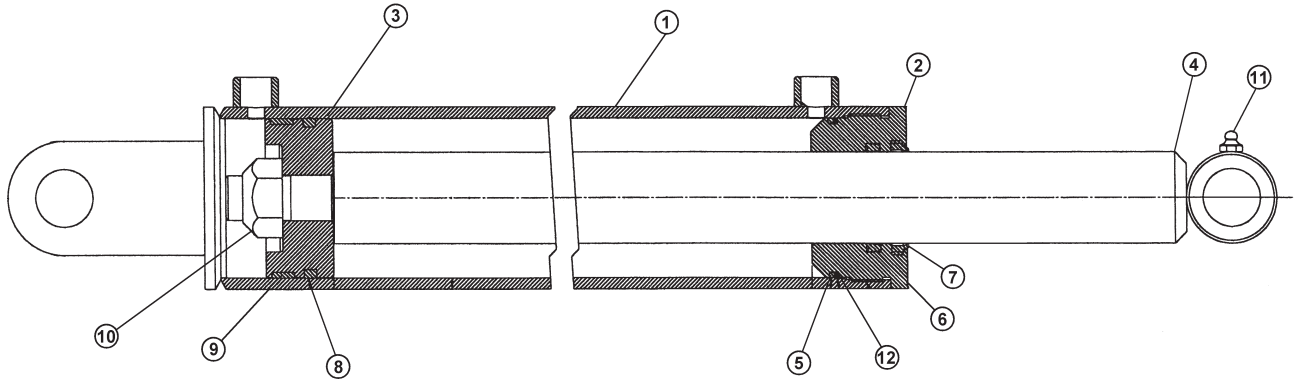
# PIVOT TUBE ASSEMBLY



ITEM	PART NO.	QTY	DESCRIPTION
1	2450246	1	Pivot Tube
2	2455500	4	Upper Pivot
3	2455501	4	Lower Pivot
4	2450251	1	Frame
5	2450248	2	Transport Lock
6	2430378	2	Support Plug
7	2458404	2	Pin, Transport Lock
8	2452512	2	Pin, Transport Pivot
9	2451043	2	Plate, Support Plug Spacer
10	00007000	4	Bolt
11	000640	4	Locknut
12	45051	2	Grease Fitting
13	9D2010	2	Bulkhead Nut
14	00001400	2	Flatwasher
15	9D2009	2	Bulkhead Connector
16	9907	2	Pipe Nipple
17	11108	2	Street Elbow
18	49207	2	Hair Pin Cotter
19	2438408	2	Grease Fitting
20	2438616	2	Hose, Grease
21	00007800	4	Bolt,
22	00002701	4	Flatwasher
23	35009C	20	Lockwasher
24	00000200	20	Nut
25	00037100	16	Bolt
26	02032200	8	Lockwasher
27	330010C	8	Nut
28	31795H5C	8	Bolt

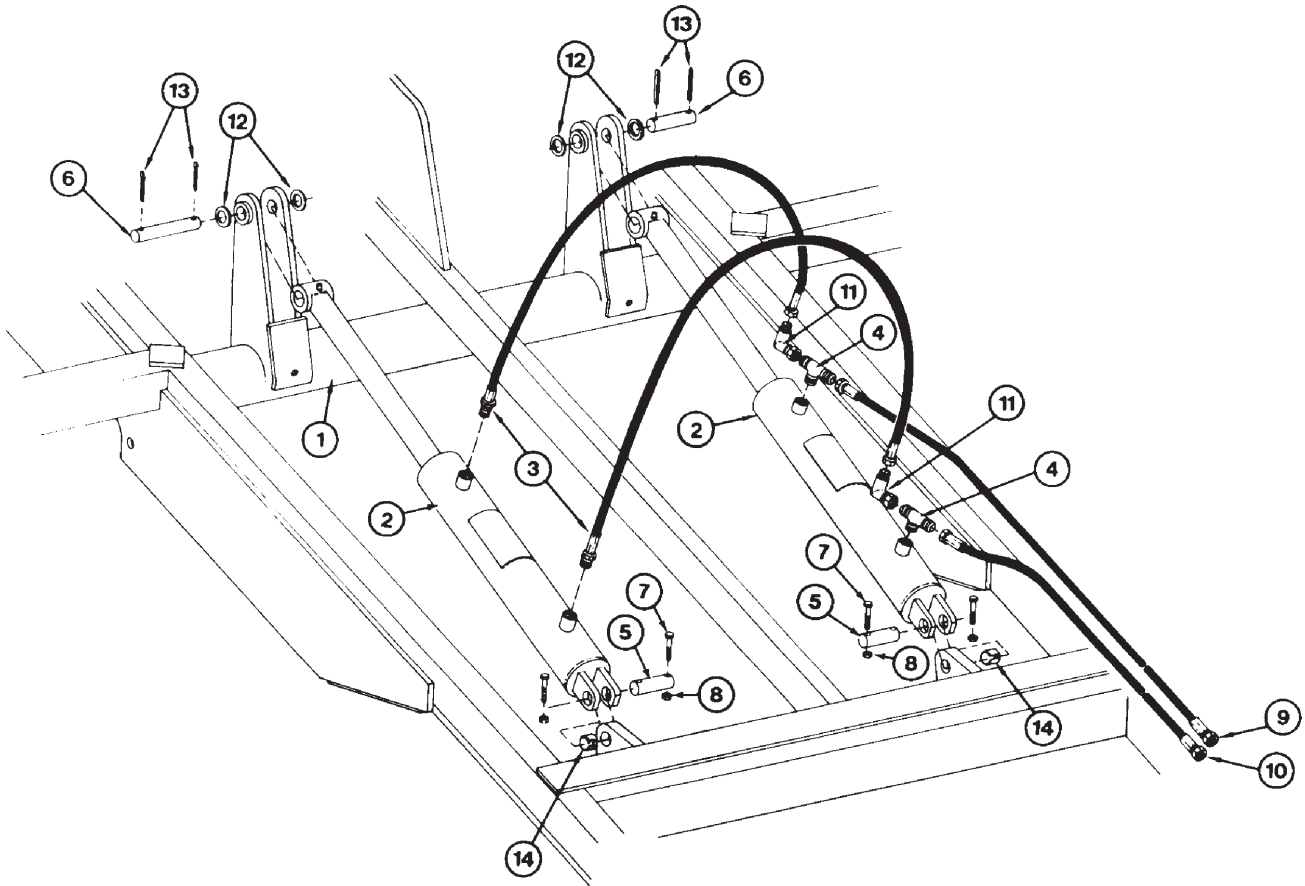
**MAIN LIFT CYLINDER (3 1/2" X 16") NO. 2437134  
REPAIR PARTS LIST**

**Note:** When ordering replacement parts from this page Cylinder No. 2437134  
Cylinder Head Screws into Cylinder Tube.



ITEM	PART NO.	QTY	DESCRIPTION
1	2417176	1	Tube
2	2417175	1	Cylinder Head
3	02975305	1	Piston
4	2417177	1	Rod
5	*	1	O-Ring
6	*	1	Seal
7	*	1	Seal Wiper Rod
8	*	1	Seal
9	*	1	Wear Ring
10	5JRC16140	1	Nut
11	45051	1	Grease Fitting
12	*	1	Seal
*	02975531	1	Seal Kit

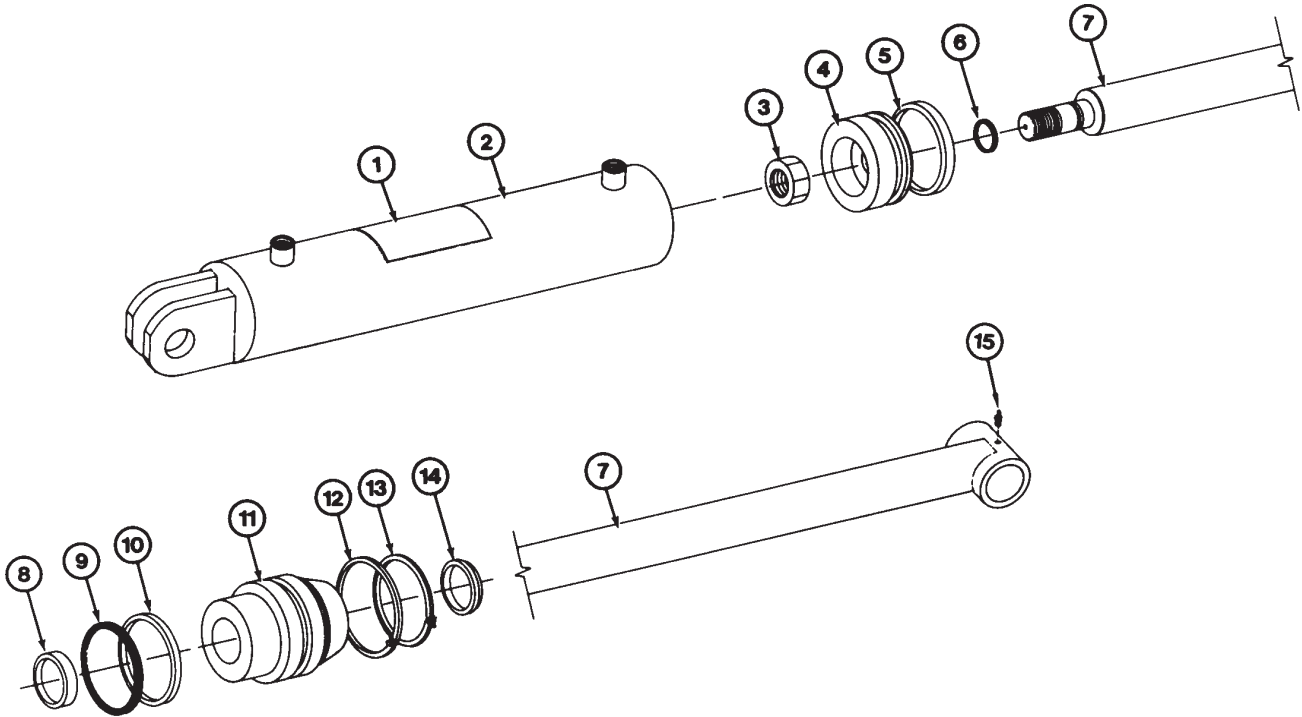
# MAIN LIFT CYLINDER HYDRAULIC ASSEMBLY



ITEM	PART NO.	QTY	DESCRIPTION
1	2450246	1	Pivot Tube
2	2437134	2	Cylinder
3	2437217	2	Hydraulic Hose
4	11764	2	Branch Tee
5	2432569	2	Front Cylinder Pin
6	2432571	2	Depth Stop Pin
7	00007000	4	Bolt
8	000640	4	Locknut
9	2437219	1	Hydraulic Hose
10	2437218	1	Hydraulic Hose
11	11676	2	Swivel Elbow Fitting
12	380460C	4	Flatwasher
13	49065	4	Cotter Pin
14	2438405	2	Bushing

**MAIN LIFT CYLINDER (3 1/2" X 16") NO. 2420139  
REPAIR PARTS LIST**

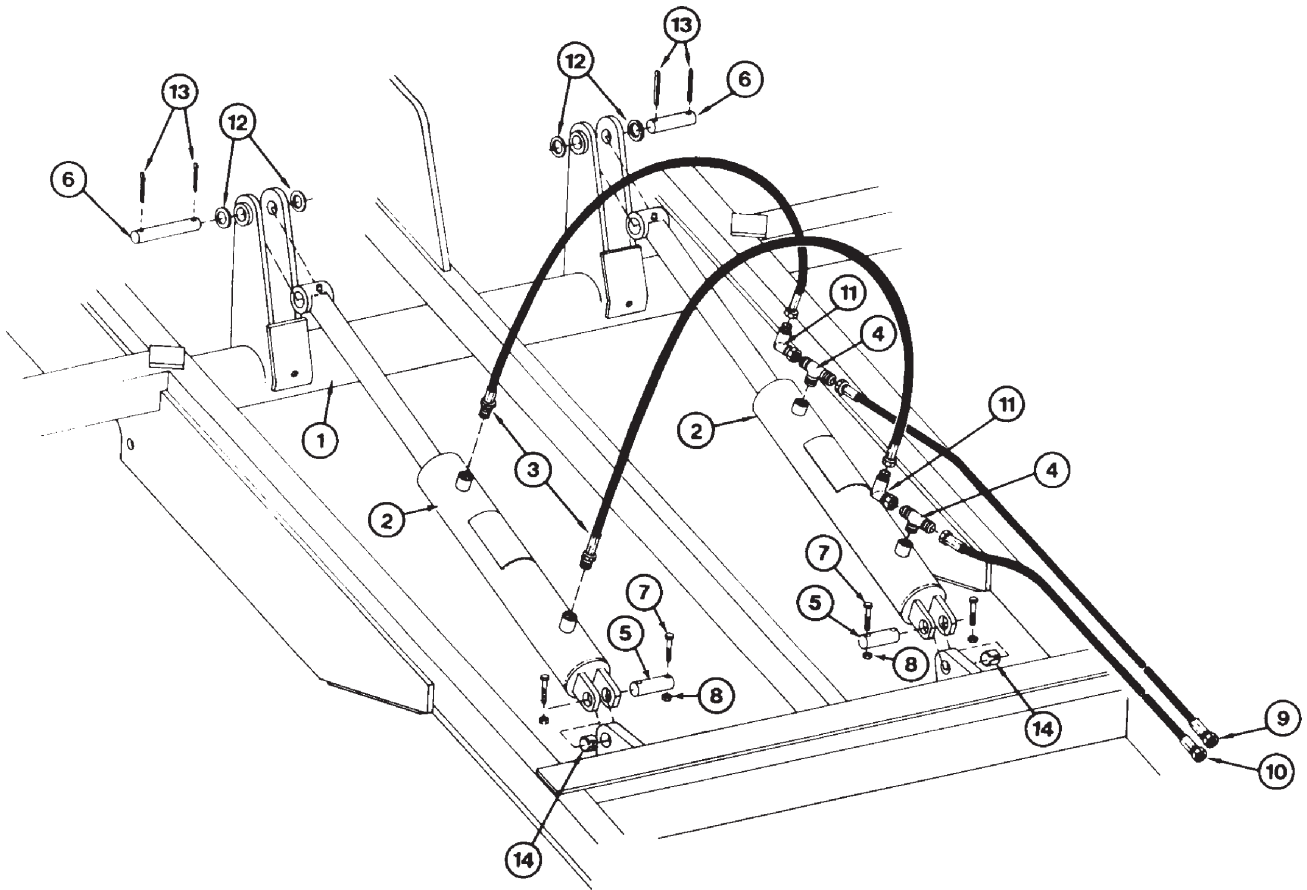
**Note:** When ordering replacement parts from this page Cylinder No. 2420139  
Cylinder Head uses Retaining Rings to hold Guide in place.



ITEM	PART NO.	QTY	DESCRIPTION
1	00756059	1	Decal, Warning Oil Leak
2	2417149	1	Cylinder Body
3	32989H8C	1	Locknut
4	2417148	1	Piston
5	*	1	Piston Seal
6	*	1	O-Ring
7	2417150	1	Rod
8	*	1	U-Cup Seal
9	*	1	O-Ring
10	*	1	Back-up Ring
11	2417151	1	Guide
12	*	1	Retaining Ring
13	*	1	Retaining Ring
14	*	1	Wiper Ring
15	45051	1	Grease Fitting
*	2417152	1	Seal Kit (Includes items 5, 6, 8, 9, 10, 12, 13 & 14)

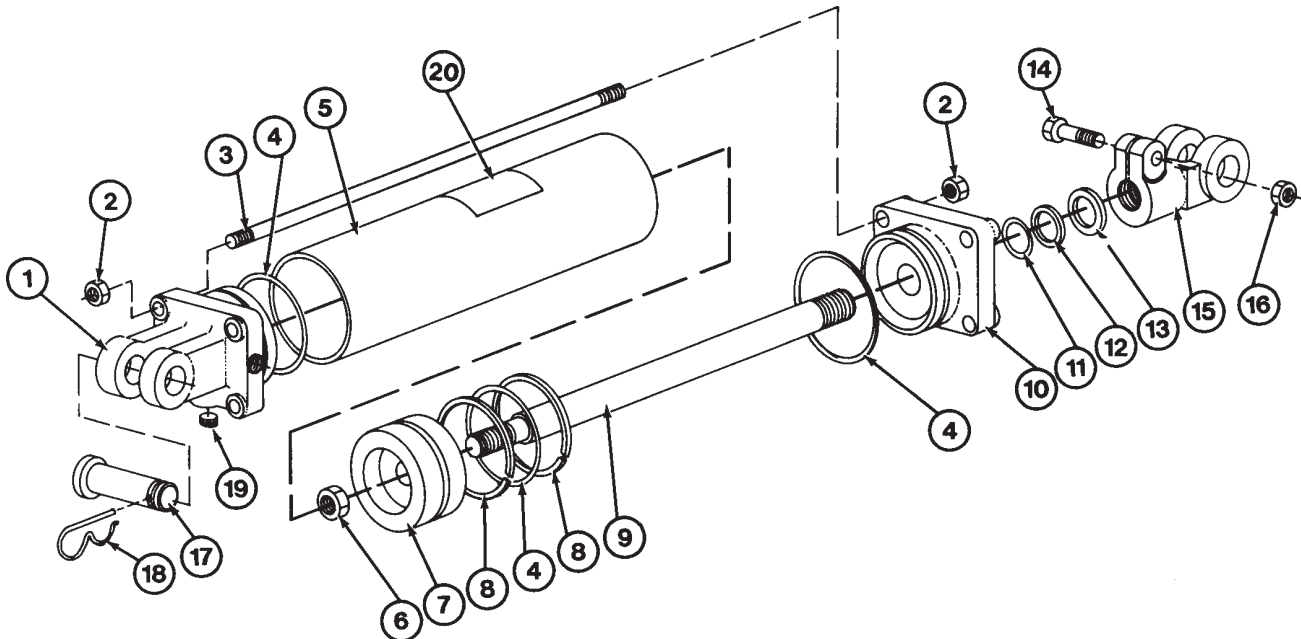


# MAIN LIFT CYLINDER HYDRAULIC ASSEMBLY



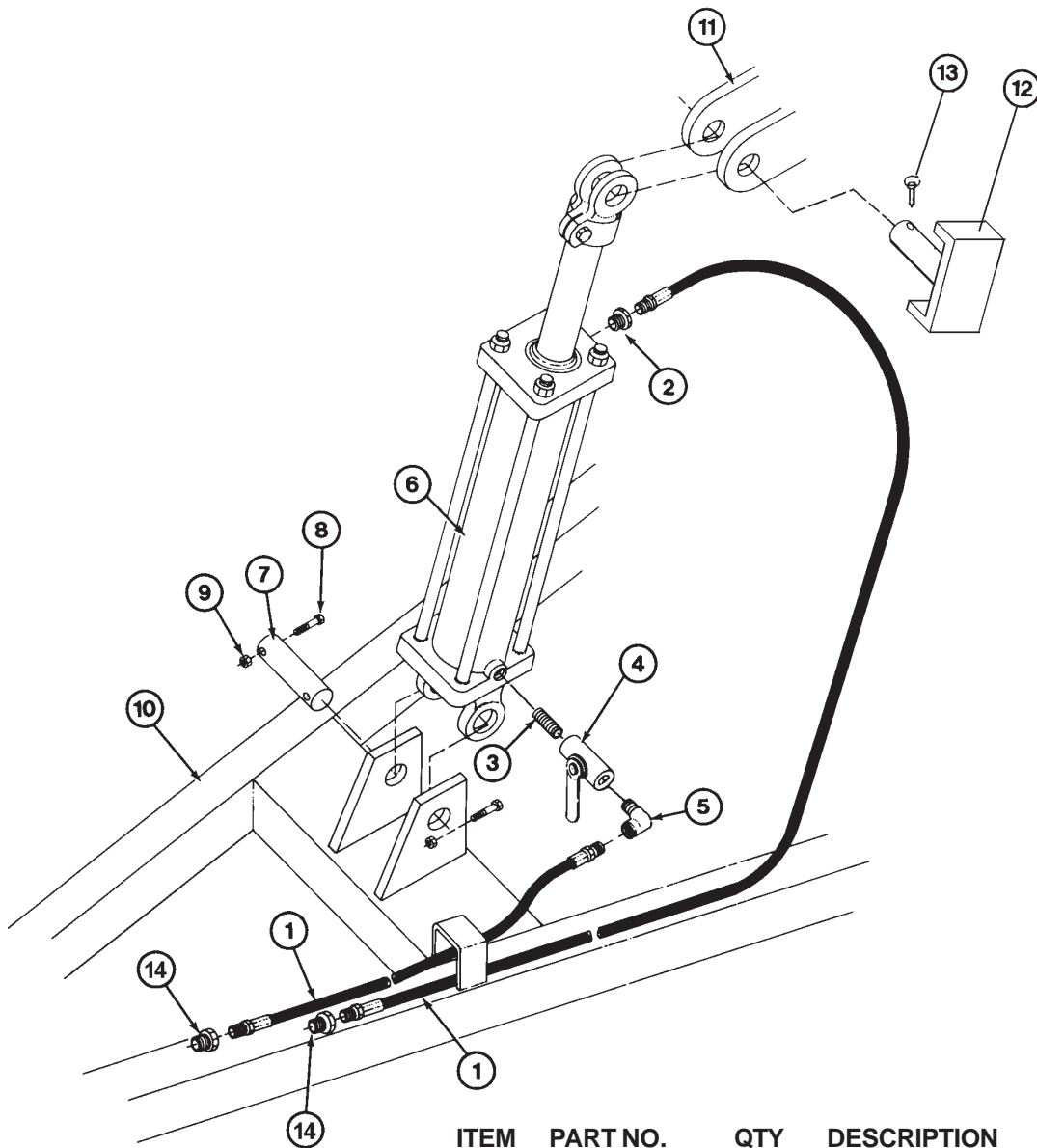
ITEM	PART NO.	QTY	DESCRIPTION
1	2450246	1	Pivot Tube
2	2437134	2	Cylinder
3	2437217	2	Hydraulic Hose
4	11764	2	Branch Tee
5	2432569	2	Front Cylinder Pin
6	2432571	2	Depth Stop Pin
7	00007000	4	Bolt
8	000640	4	Locknut
9	2437219	1	Hydraulic Hose
10	2437218	1	Hydraulic Hose
11	11676	2	Swivel Elbow Fitting
12	380460C	4	Flatwasher
13	49065	4	Cotter Pin
14	2438405	2	Bushing

# TONGUE LIFT CYLINDER (3" X 8") NO. 2730119



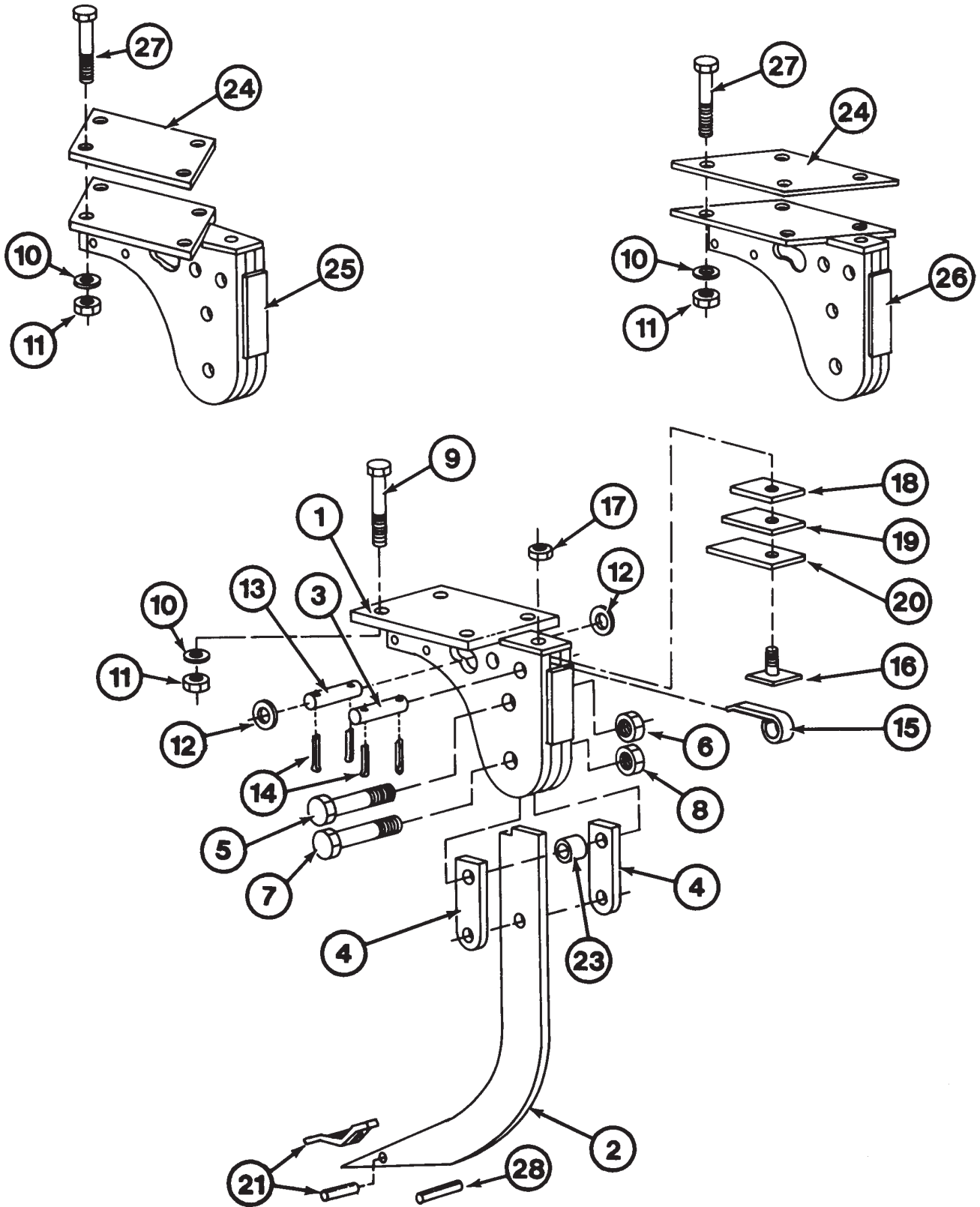
ITEM	PART NO.	QTY	DESCRIPTION
1	2717111	1	Base
2	00001200	8	Nut
3	2717117	4	Tie Rod
4	*	3	O-Ring
5	2717116	1	Tube
6	2717135	1	Nut
7	2717110	1	Piston
8	*	2	Back-up
9	2717102	1	Rod
10	2717105	1	Head
11	*	1	O-Ring
12	*	1	Back-Up
13	*	1	Wiper
14	31888H5C	1	Bolt
15	2717103	1	Rod Clevis
16	00013901	1	Nut
17	2717113	2	Clevis Pin
18	2717114	2	Clip Pin
19	13013	1	Pipe Plug
20	00756059	1	Decal, Warning Oil Leak
*	2717100	1	Seal Kit (Includes Item 4, 8, 11, 12 & 13)

# TONGUE LIFT CYLINDER (3" X 8") FITTINGS



ITEM	PART NO.	QTY	DESCRIPTION
1	02905100	2	Hydraulic Hose Assembly
2	02822300	1	Hyd. Adapter, Straight
3	02972180	1	Hyd. Adapter, Straight
4	2457350	1	Ball Valve
5	02962249	1	Hyd. Adapter, Straight
6	2457104	1	Cylinder
7	2432565	1	Tongue Cylinder Pin
8	00023100	2	Bolt
9	000640	2	Locknut
10	2430364	1	Tongue
11	2430391	1	Tongue Arm
12	2420269	1	Pin
13	00725708	1	Snapper Pin
14	02957691	2	Hyd. Adapter, Straight

# MANUAL RESET SHANK

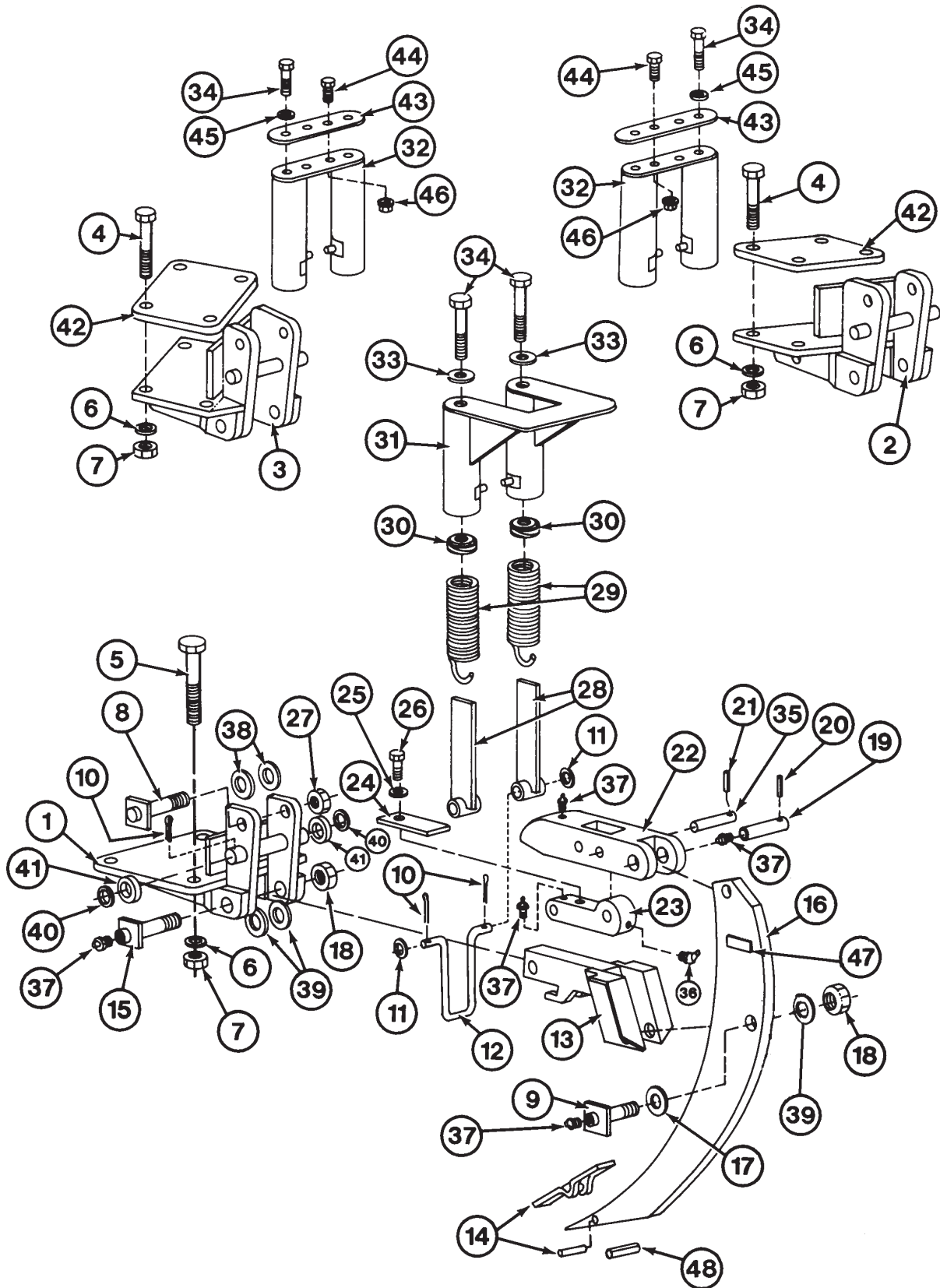


# MANUAL RESET SHANK

ITEM	PART NO.	DESCRIPTION	SHANK ASSEMBLY QTY.		
			CENTER	RH	LH
1	2430226	Center Trip Shank Mount	1	0	0
2	2438358	Manual Shank*	1	1	1
3	2432509	Leaf Spring Pin	1	1	1
4	2432030	Spacer Plate	2	2	2
5	31709H5C	Bolt	1	1	1
6	32908C	Locknut	1	1	1
7	31809H5C	Bolt	1	1	1
8	32909C	Locknut	1	1	1
9	317016H5C	Bolt	4	0	0
10	35009C	Lockwasher	4	4	4
11	33008C	Nut	4	4	4
12	38008C	Flatwasher	2	2	2
13	2432510	Trip Pin	1	1	1
14	49053	Cotter Pin	4	4	4
15	2437420	Leaf Spring Support	1	1	1
16	2430227	Stud	1	1	1
17	32925C	Elastic Stop Nut	1	1	1
18	2437421	Leaf Spring, Short	1	1	1
19	2437422	Leaf Spring, Middle	1	1	1
20	2437423	Leaf Spring, Long	1	1	1
21	2410400	Chisel Point & Pin	1	1	1
23	2434856	Spacer Tube	1	1	1
24	2431456	Shank Mount Plate	0	1	1
25	2430336	Trip Shank Mount, LH	0	0	1
26	2430335	Trip Shank Mount, RH	0	1	1
27	317017H5C	Bolt	0	4	4
28	2418402	Special Oversized Pin for Chisel Point	1	1	1
	2430124	Center Shank Assembly, Complete			
	2430122	Shank Assembly, RH, Complete			
	2430123	Shank Assembly, LH, Complete			
*	2430178	Shank, Point & Pin Assembly (Includes Items 2 & 21)			

# AUTOMATIC RESET SHANK

(TWO-PIECE CLAMP MOUNT STYLE)



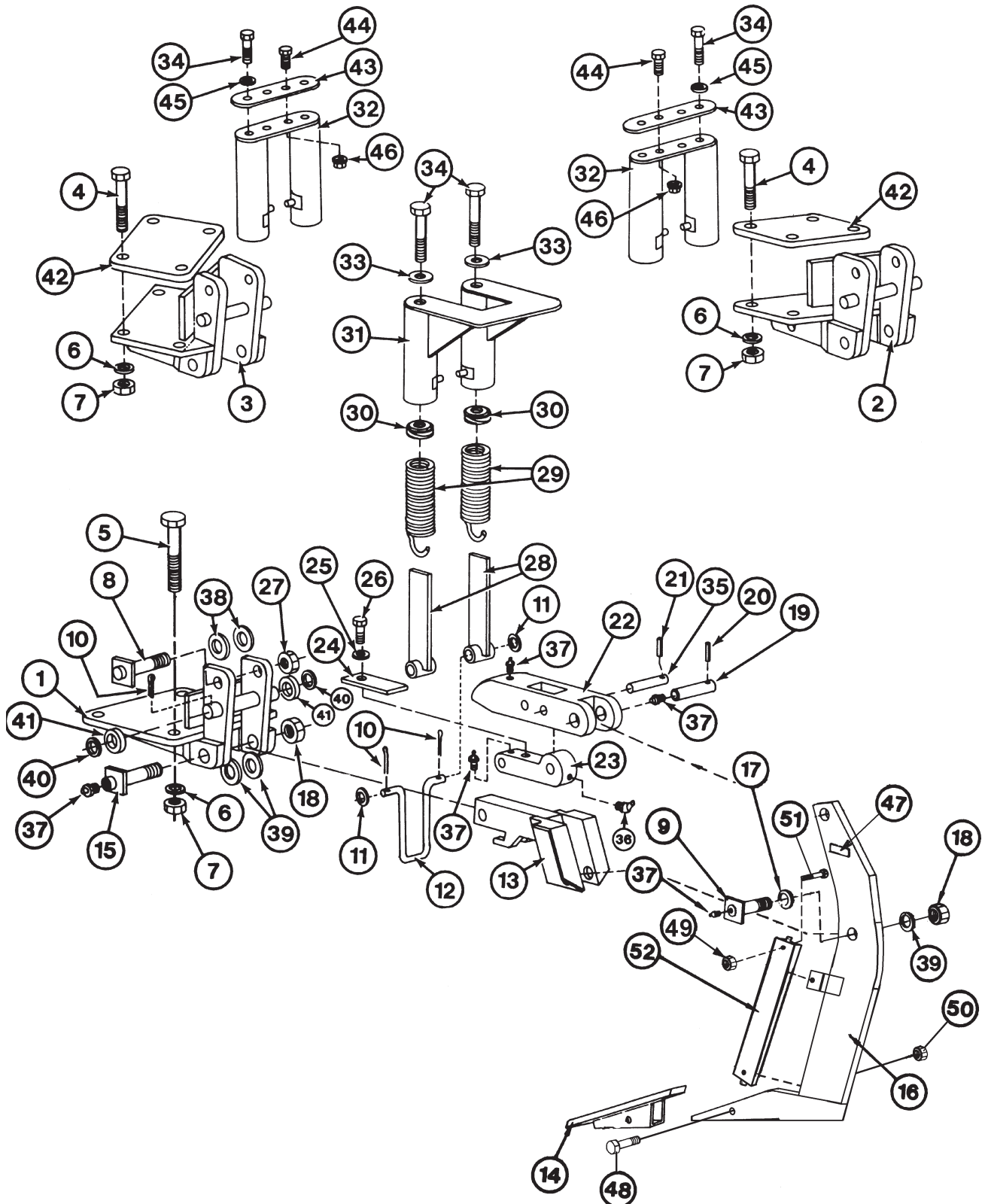
# AUTOMATIC RESET SHANK

## (TWO-PIECE CLAMP MOUNT STYLE)

ITEM	PART NO.	DESCRIPTION	SHANK ASSEMBLY QTY.		
			CENTER	RH	LH
1	2430333	Shank Mount, Center	1	0	0
2	2430331	Shank Mount, RH	0	1	0
3	2430332	Shank Mount, LH	0	0	1
4	317017H5C	Bolt	0	4	4
5	317016H5C	Bolt	4	0	0
6	35009C	Lockwasher	4	4	4
7	33008C	Nut	4	4	4
8	2430261	Pivot Pin	1	1	1
9	2430262	Pull Arm Pin	1	1	1
10	49053	Cotter Pin	4	4	4
11	380450C	Flatwasher	2	2	2
12	2432543	Spring Yoke	1	1	1
13	2430334	Pull Arm	1	1	1
14	2410400	Chisel Point & Pin	1	1	1
15	2430275	Pull Arm to Mount Pin	1	1	1
16	2438360	Automatic Shank*	1	1	1
17	2438404	Shank Washer	1	1	1
18	331212C	Nylon Insert Jam Nut	2	2	2
19	2432523	Pivot Pin	1	1	1
20	420916	Roll Pin	1	1	1
21	420619	Roll Pin	1	1	1
22	2435508	Outer Toggle	1	1	1
23	2435507	Inner Toggle	1	1	1
24	2431106	Stop	1	1	1
25	35002C	Lockwasher	1	1	1
26	31102H5C	Bolt	1	1	1
27	331210C	Nylon Insert Jam Locknut	1	1	1
28	2430265	Spring Guide Bar	2	2	2
29	2437424	Spring	2	2	2
30	2435509	Spring Insert, End Plug	2	2	2
31	2430319	Center Spring Tube	1	0	0
32	2430320	Spring Tube	0	1	1
33	2431882	Flatwasher	2	2	2
34	300516H5C	Tap Bolt	2	2	2
35	2432521	Toggle Pin	1	1	1
36	45053	Grease Fitting	1	1	1
37	45051	Grease Fitting	5	5	5
38	2432521	Toggle Washer	2	2	2
39	2432300	Pull Arm Washer	4	4	4
40	380454C	Flatwasher	2	2	2
41	2434866	Roller	2	2	2
42	2431456	Shank Mount Plate	0	1	1
43	2431602	Tie Plate	0	2	2
44	31103C	Bolt	0	2	2
45	38005C	Flatwasher	0	2	2
46	6D9016	Whizlock Nut	0	2	2
47	2438332	Decal, Grease, 8 Hour	1	1	1
48	2418402	Special Oversized Pin for Chisel Point	1	1	1
	2420123	Center Shank Assembly, Complete			
	2420121	Shank Assembly, RH, Complete			
	2420122	Shank Assembly, LH, Complete			
*	2430179	Shank, Point and Pin Assembly (Includes Items 14 & 16)			

# AUTOMATIC RESET STRAIGHT SHANK

(TWO-PIECE CLAMP MOUNT STYLE)



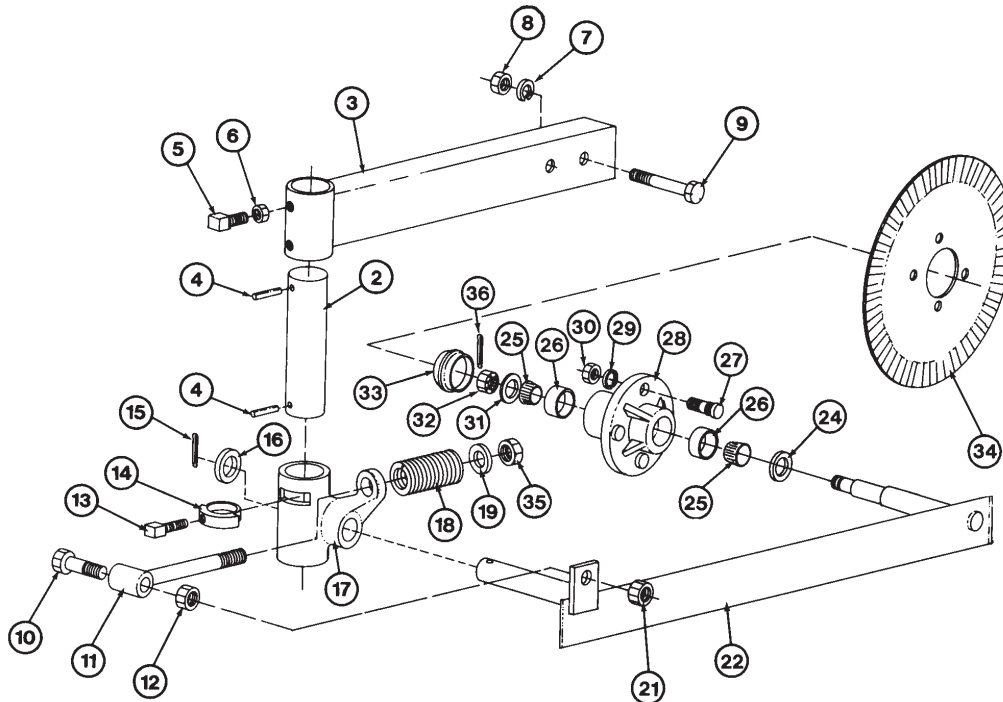


# AUTOMATIC RESET STRAIGHT SHANK

## (TWO-PIECE CLAMP MOUNT STYLE)

ITEM	PART NO.	DESCRIPTION	SHANK ASSEMBLY QTY.		
			CENTER	RH	LH
1	2430333	Shank Mount, Center	1	0	0
2	2430331	Shank Mount, RH	0	1	0
3	2430332	Shank Mount, LH	0	0	1
4	317017H5C	Bolt	0	4	4
5	02025700	Bolt	4	0	0
6	35009C	Lockwasher	4	4	4
7	00000200	Nut	4	4	4
8	2430261	Pivot Pin	1	1	1
9	2430262	Pull Arm Pin	1	1	1
10	49053	Cotter Pin	4	4	4
11	15B1400	Flatwasher	2	2	2
12	2432543	Spring Yoke	1	1	1
13	2430334	Pull Arm	1	1	1
14	2450269	Chisel Point	1	1	1
15	2430275	Pull Arm to Mount Pin	1	1	1
16	2450285	Straight Automatic Shank*	1	1	1
17	2438404	Shank Washer	1	1	1
18	331212C	Nylon Insert Jam Nut	2	2	2
19	2432523	Pivot Pin	1	1	1
20	420916	Roll Pin	1	1	1
21	420619	Roll Pin	1	1	1
22	2435508	Outer Toggle	1	1	1
23	2435507	Inner Toggle	1	1	1
24	2431106	Stop	1	1	1
25	00011700	Lockwasher	1	1	1
26	31102H5C	Bolt	1	1	1
27	331210C	Nylon Insert Jam Locknut	1	1	1
28	2430265	Spring Guide Bar	2	2	2
29	2437424	Spring	2	2	2
30	2435509	Spring Insert, End Plug	2	2	2
31	2430319	Center Spring Tube	1	0	0
32	2430320	Spring Tube	0	1	1
33	2431882	Flatwashers	2	2	2
34	300516H5C	Tap Bolt	2	2	2
35	2432521	Toggle Pin	1	1	1
36	45053	Grease Fitting	1	1	1
37	45051	Grease Fitting	5	5	5
38	2432301	Toggle Washer	2	2	2
39	2432300	Pull Arm Washer	4	4	4
40	15B1600	Flatwasher	2	2	2
41	2434866	Roller	2	2	2
42	2431456	Shank Mount Plate	0	1	1
43	2431602	Tie Plate	0	2	2
44	31103C	Bolt	0	2	2
45	00002700	Flatwasher	0	2	2
46	6D9016	Whizlock Nut	0	2	2
47	2438332	Decal, Grease, 8 Hour	1	1	1
48	02027400	Bolt	1	1	1
49	00001800	Top Locknut	1	1	1
50	32905C	Locknut	1	1	1
51	02788400	Bolt	1	1	1
52	2456503	Shank Protector	1	1	1
	2450132	Center Shank Assembly, Complete			
	2450130	Shank Assembly, RH, Complete			
	2450131	Shank Assembly, LH, Complete			
	2450133	Shank & Point Assembly (Includes Items 14, 16 & 48-52)			

# V-CHISEL BAR COULTER

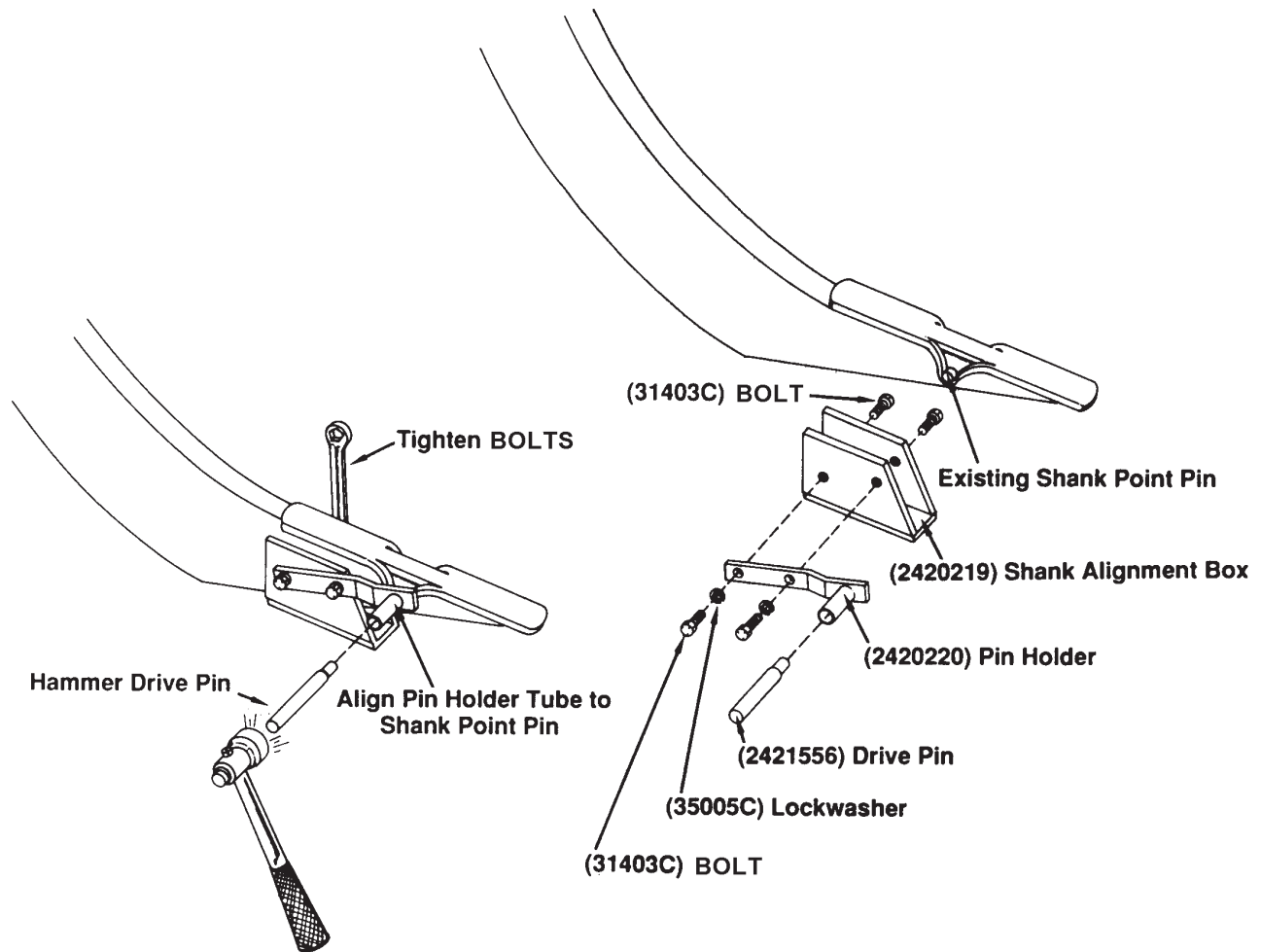


ITEM	PART NO.	QTY	DESCRIPTION
1	2428356	1	Coulter Assembly, 20" (Includes Items 10-36)
2	2422502	1	Coulter Mount Rod
3	2420207	1	Coulter Mount Arm
4	205020	2	Roll Pin
5	3904A6C	2	Squarehead Setscrew
6	33115C	2	Hex Jam Nut
7	35009C	2	Lockwasher
8	00000200	2	Nut
9	317010H5C	2	Bolt
10	30709H5C	1	Bolt
11	2417510	1	Push Rod
12	33018C	1	Nut
13	3905A3C	1	Squarehead Setscrew
14	2417501	1	Locking Collar
15	49054	1	Pin, Cotter
16	1438442	1	Machine Washer
17	2417509	1	Hinge Casting
18	2417421	1	Spring
19	2417503	1	Spring Bushing
21	32918C	1	Locknut
22	2417504	1	Coulter Arm
24	6W702	1	Seal
25	0536003	2	Bearing
26	0536002	2	Cup
27	02886900	4	Carriage Bolt
28	2417506	1	Hub & Cup (Includes Item 26)
29	00001300	4	Lockwasher
30	00001200	4	Nut
31	2418401	1	Retainer Washer
32	33097C	1	Slotted Nut
33	0536700	1	Hub Cap
34	1318350	1	Coulter Blade, 20" Ripple
35	32908C	1	Locknut
36	49024	1	Cotter Pin

# CHISEL POINT REMOVABLE PIN KIT NO. 2420479

## INSTALLATION INSTRUCTIONS

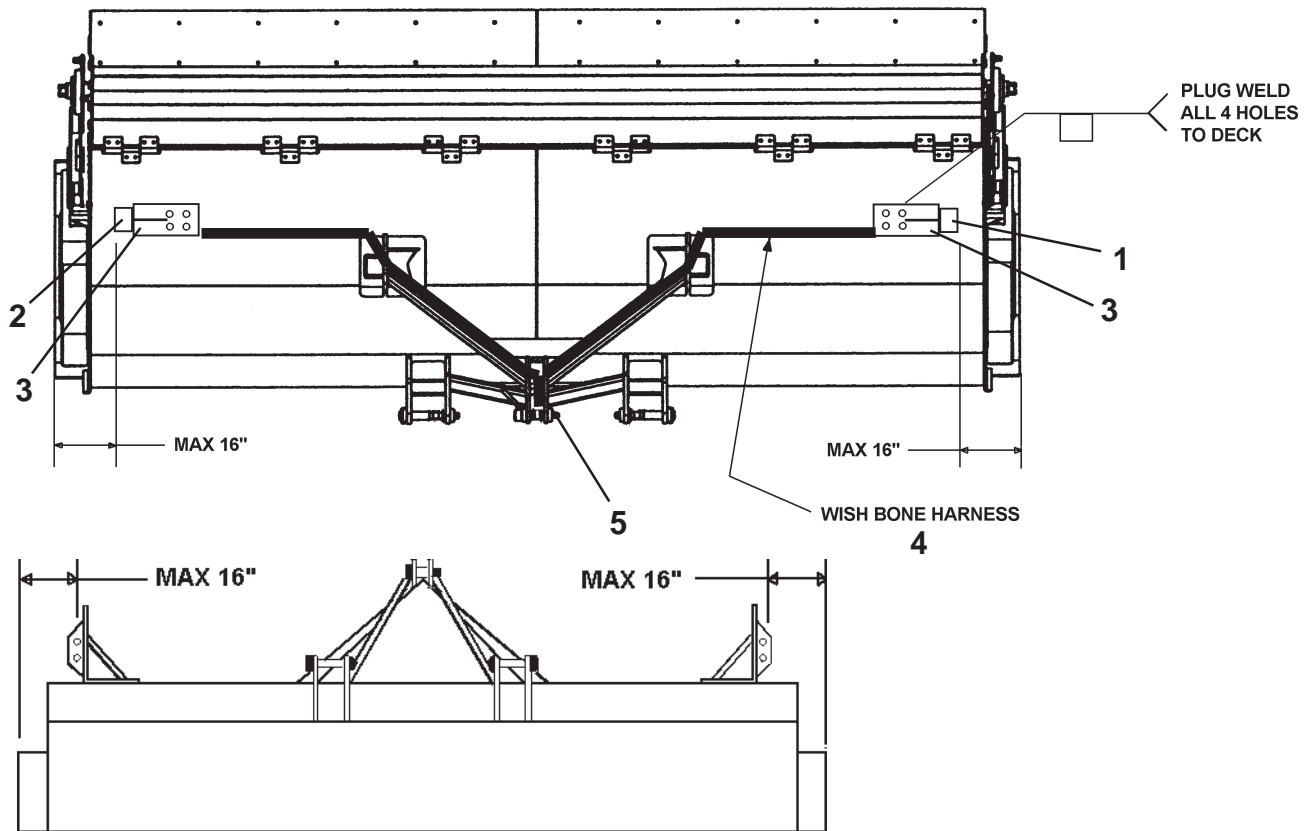
1. Assemble Pin Holder (2420220) to Shank Alignment Box (2420219) using two 1/2" Lockwashers (00001300) and two 1/2 x 3/4" Bolts (31403C) as shown. Tighten the Bolts.
2. Partially thread the two remaining 1/2 x 3/4" Bolts in the opposite side of shank alignment box.
3. Position box on bottom of shank. Align the pin holder tube with the existing shank point pin. Tighten the two remaining bolts securing the box to the shank.
4. Using drive pin remove shank point pin.



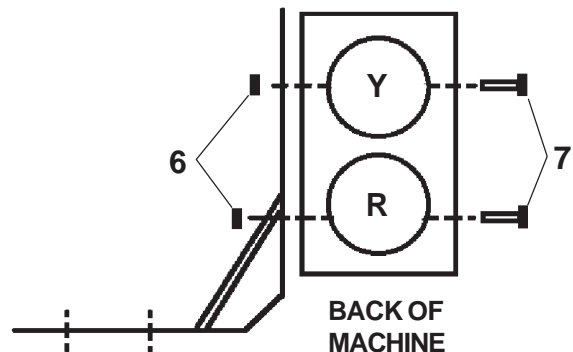
# LIGHT KIT P/N 4965W

## INSTALLATION INSTRUCTIONS

1. Plug weld light brackets to top of Dynamaster Mainframe as shown
2. Assemble lights as shown.
3. Route Wishbone Harness (Item 4) along frame as shown. Secure with adhesive backed Wire Clamps (Item 9) and Ty-Raps (Item 8). Connect ends of harness to ends of lights. Connect Wishbone Harness (Item 4) to Main Harness (Item 5).
4. Route Main Harness (Item 5) along Hitch Frame Tubes. Secure Harness to Implement Frame with Ty-Raps. Position so that wires won't be pinched.



ITEM	PART NO	QTY	DESCRIPTION
1	1457937	1	RH Lamp
2	1457938	1	LH Lamp
3	2420233	2	Light Bracket
4	2437900	1	Wishbone Harness
5	2457900	1	Main Harness
6	32901C	8	Locknut
7	10058000	8	Bolt
8	5E805	12	Ty-Rap
9	1456777	4	Wire Clamp, Plastic





**M&W**  
**LIMITED WARRANTY**

**1. LIMITED WARRANTIES**

- 1.01. M&W warrants for one year from the purchase date to the original non-commercial, governmental, or municipal purchaser ("Purchaser") and warrants for six months to the original commercial or industrial purchaser ("Purchaser") that the goods purchased are free from defects in material or workmanship.
- 1.02. Manufacturer will replace for the Purchaser any part or parts found, upon examination at one of its factories, to be defective under normal use and service due to defects in material or workmanship.
- 1.03. This limited warranty does not apply to any part of the goods which has been subjected to improper or abnormal use, negligence, alteration, modification, or accident, damaged due to lack of maintenance or use of wrong fuel, oil, or lubricants, or which has served its normal life. This limited warranty does not apply to any part of any internal combustion engine, or expendable items such as blades, shields, guards, or pneumatic tires except as specifically found in your Operator's Manual.
- 1.04. Except as provided herein, no employee, agent, Dealer, or other person is authorized to give any warranties of any nature on behalf of Manufacturer.

**2. REMEDIES AND PROCEDURES.**

- 2.01. This limited warranty is not effective unless the Purchaser returns the Registration and Warranty Form to Manufacturer within 30 days of purchase.
- 2.02. Purchaser claims must be made in writing to the Authorized Dealer ("Dealer") from whom Purchaser purchased the goods or an approved Authorized Dealer ("Dealer") within 30 days after Purchaser learns of the facts on which the claim is based.
- 2.03. Purchaser is responsible for returning the goods in question to the Dealer.
- 2.04. If after examining the goods and/or parts in question, Manufacturer finds them to be defective under normal use and service due to defects in material or workmanship, Manufacturer will:
  - (a) Repair or replace the defective goods or part(s) or
  - (b) Reimburse Purchaser for the cost of the part(s) and reasonable labor charges (as determined by Manufacturer) if Purchaser paid for the repair and/or replacement prior to the final determination of applicability of the warranty by Manufacturer.The choice of remedy shall belong to Manufacturer.
- 2.05. Purchaser is responsible for any labor charges exceeding a reasonable amount as determined by Manufacturer and for returning the goods to the Dealer, whether or not the claim is approved. Purchaser is responsible for the transportation cost for the goods or part(s) from the Dealer to the designated factory.

**3. LIMITATION OF LIABILITY.**

- 3.01. MANUFACTURER DISCLAIMS ANY EXPRESS (EXCEPT AS SET FORTH HEREIN) AND IMPLIED WARRANTIES WITH RESPECT TO THE GOODS INCLUDING, BUT NOT LIMITED TO, MERCHANTABILITY AND FITNESS FOR A PARTICULAR PURPOSE.
- 3.02. MANUFACTURER MAKES NO WARRANTY AS TO THE DESIGN, CAPABILITY, CAPACITY, OR SUITABILITY FOR USE OF THE GOODS.
- 3.03. EXCEPT AS PROVIDED HEREIN, MANUFACTURER SHALL HAVE NO LIABILITY OR RESPONSIBILITY TO PURCHASER OR ANY OTHER PERSON OR ENTITY WITH RESPECT TO ANY LIABILITY, LOSS, OR DAMAGE CAUSED OR ALLEGED TO BE CAUSED DIRECTLY OR INDIRECTLY BY THE GOODS INCLUDING, BUT NOT LIMITED TO, ANY INDIRECT, SPECIAL, CONSEQUENTIAL, OR INCIDENTAL DAMAGES RESULTING FROM THE USE OR OPERATION OF THE GOODS OR ANY BREACH OF THIS WARRANTY. NOTWITHSTANDING THE ABOVE LIMITATIONS AND WARRANTIES, MANUFACTURER'S LIABILITY HEREUNDER FOR DAMAGES INCURRED BY PURCHASER OR OTHERS SHALL NOT EXCEED THE PRICE OF THE GOODS.
- 3.04. NO ACTION ARISING OUT OF ANY CLAIMED BREACH OF THIS WARRANTY OR TRANSACTIONS UNDER THIS WARRANTY MAY BE BROUGHT MORE THAN TWO (2) YEARS AFTER THE CAUSE OF ACTION HAS OCCURRED.

**4. MISCELLANEOUS.**

- 4.01. Proper Venue for any lawsuits arising from or related to this limited warranty shall be only in Guadalupe County, Texas.
- 4.02. Manufacturer may waive compliance with any of the terms of this limited warranty, but no waiver of any terms shall be deemed to be a waiver of any other term.
- 4.03. If any provision of this limited warranty shall violate any applicable law and is held to be unenforceable, then the invalidity of such provision shall not invalidate any other provisions herein.
- 4.04. Applicable law may provide rights and benefits to purchaser in addition to those provided herein.

**KEEP FOR YOUR RECORDS**

ATTENTION: Purchaser should fill in the blanks below for his reference when buying repair parts and/or for proper machine identification when applying for warranty.

M&W Implement Model \_\_\_\_\_ Serial Number \_\_\_\_\_

Date Purchased \_\_\_\_\_ Dealer \_\_\_\_\_

ATTENTION:  
READ YOUR OPERATOR'S MANUAL

**M&W**

An Alamo Group Company  
1020 South Sangamon Ave.  
Gibson City, Illinois 60936  
217-784-4261





## TO THE OWNER/OPERATOR/DEALER

To keep your implement running efficiently and safely, read your manual thoroughly and follow these directions and the Safety Messages in this Manual. The Table of Contents clearly identifies each section where you can easily find the information you need.

The OCCUPATIONAL SAFETY AND HEALTH ACT (1928.51 Subpart C) makes these minimum safety requirements of tractor operators:

### REQUIRED OF THE OWNER:

1. Provide a Roll-Over-Protective Structure that meets the requirements of this Standard; and
2. Provide Seatbelts that meet the requirements of this paragraph of this Standard and SAE J4C; and
3. Ensure that each employee uses such Seatbelt while the tractor is moving; and
4. Ensure that each employee tightens the Seatbelt sufficiently to confine the employee to the protected area provided by the ROPS.

### REQUIRED OF THE OPERATOR

1. Securely fasten seatbelt if the tractor has a ROPS.
2. Where possible, avoid operating the tractor near ditches, embankments, and holes.
3. Reduce speed when turning, crossing slopes, and on rough, slick, or muddy surfaces.
4. Stay off slopes too steep for safe operation.
5. Watch where you are going - especially at row ends, on roads, and around trees.
6. Do not permit others to ride.
7. Operate the tractor smoothly - no jerky turns, starts, or stops.
8. Hitch only to the drawbar and hitch points recommended by the tractor manufacturer.
9. When the tractor is stopped, set brakes securely and use park lock, if available.



**Keep children away from danger all day, every day...**



**Equip tractors with rollover protection (ROPS) and keep all machinery guards in place...**



**Please work, drive, play and live each day with care and concern for your safety and that of your family and fellow citizens.**

